



Artisan Materials

 Made in China

Belt Sander



Shenyang Artisan Supplies Co.,Ltd

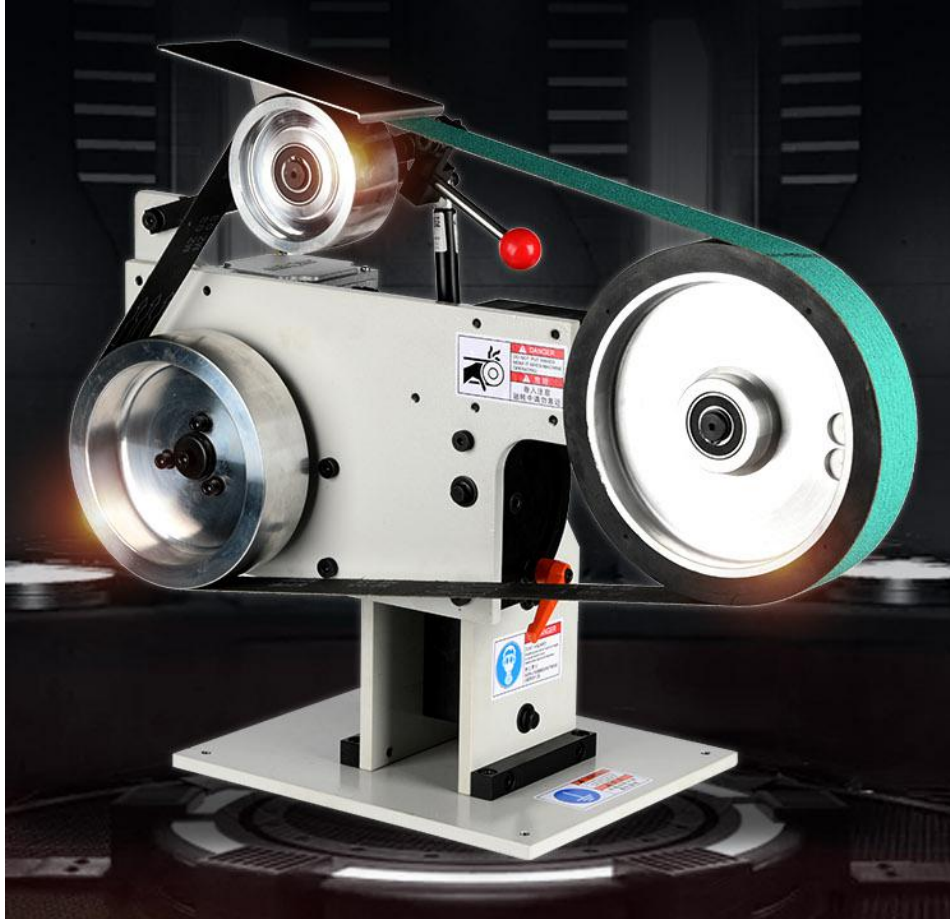
Artisan is a Chinese factory with 28 years 'experience, specializing in the development, manufacture and sale of outdoor supplies and related materials.

We are the vice-chairman unit of the Insulation Material Branch of China Electrical Appliance Industry Association and vice-chairman unit of China, Composite Material Industry Association. We are one of the drafting units of the national standards for composite materials and insulation materials in China.

Depending on a high-quality R&D team consisting mainly of Ph.D. and M.A., our products meet many national product standards, such as DIN of Germany, NEMA of the United States, JIS of Japan, and some of them even meet MIL-I standards of the U.S. military. All product meet the requirment of RoHS/CE/SGS/ISO standard. We have exported to more than 50 countries and regions and established long-term and stable cooperative relations with many home and abroad well known companies.



TWO



▶ Vertical & Horizontal
Dual Purpose Belt Grinder

▶ Frequency controllable design

▶ Vertical and horizontal one
button switching

▶ Electrostatic spraying durable
treatment

**You Need
High Quality
Belt Sander**



TWO

Triangular Structure Stable Operation

The enlarged aluminum driving wheel drives the triangular structure driven wheel, more stable operation and stronger polishing.



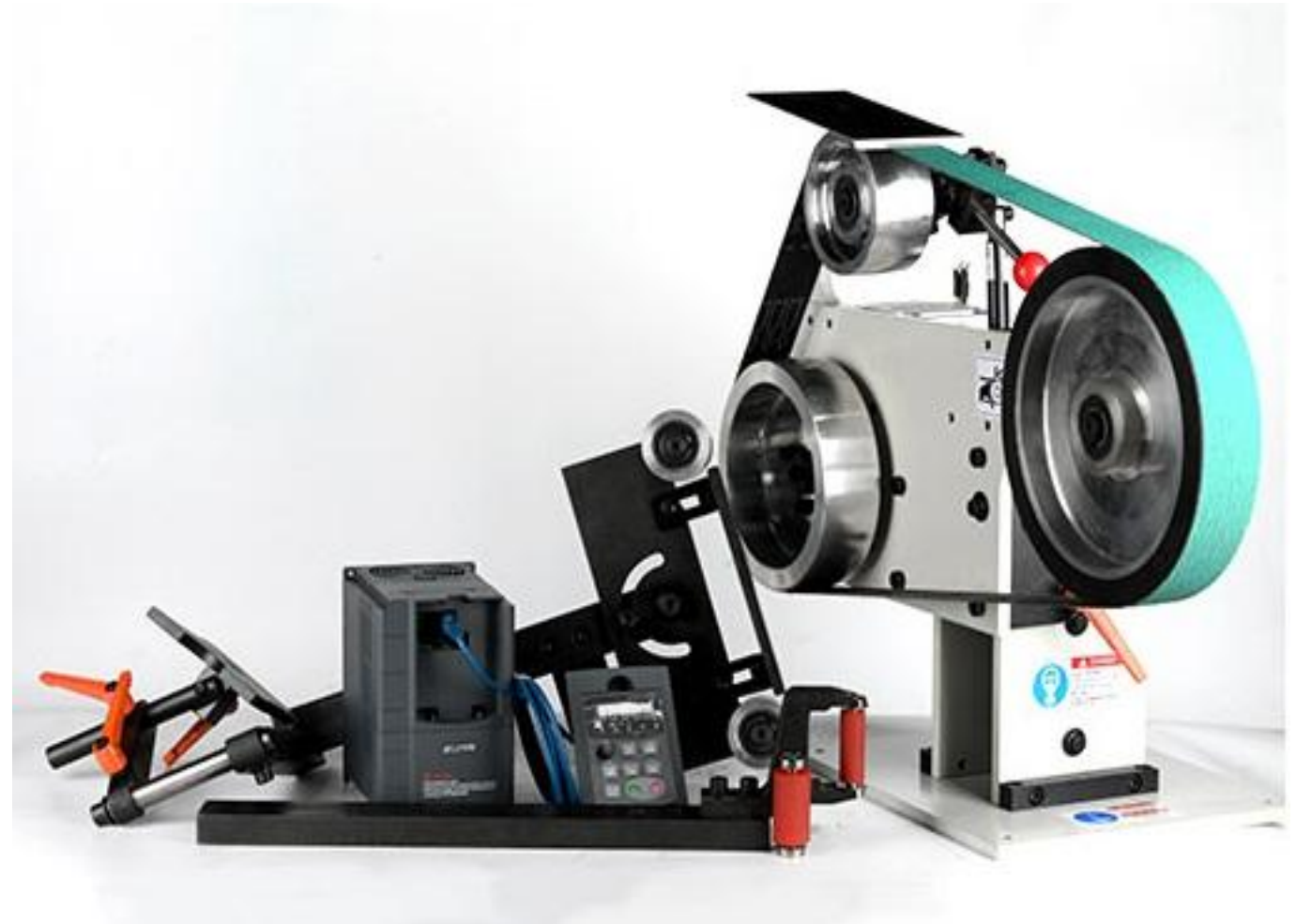


High Power Frequency Converter

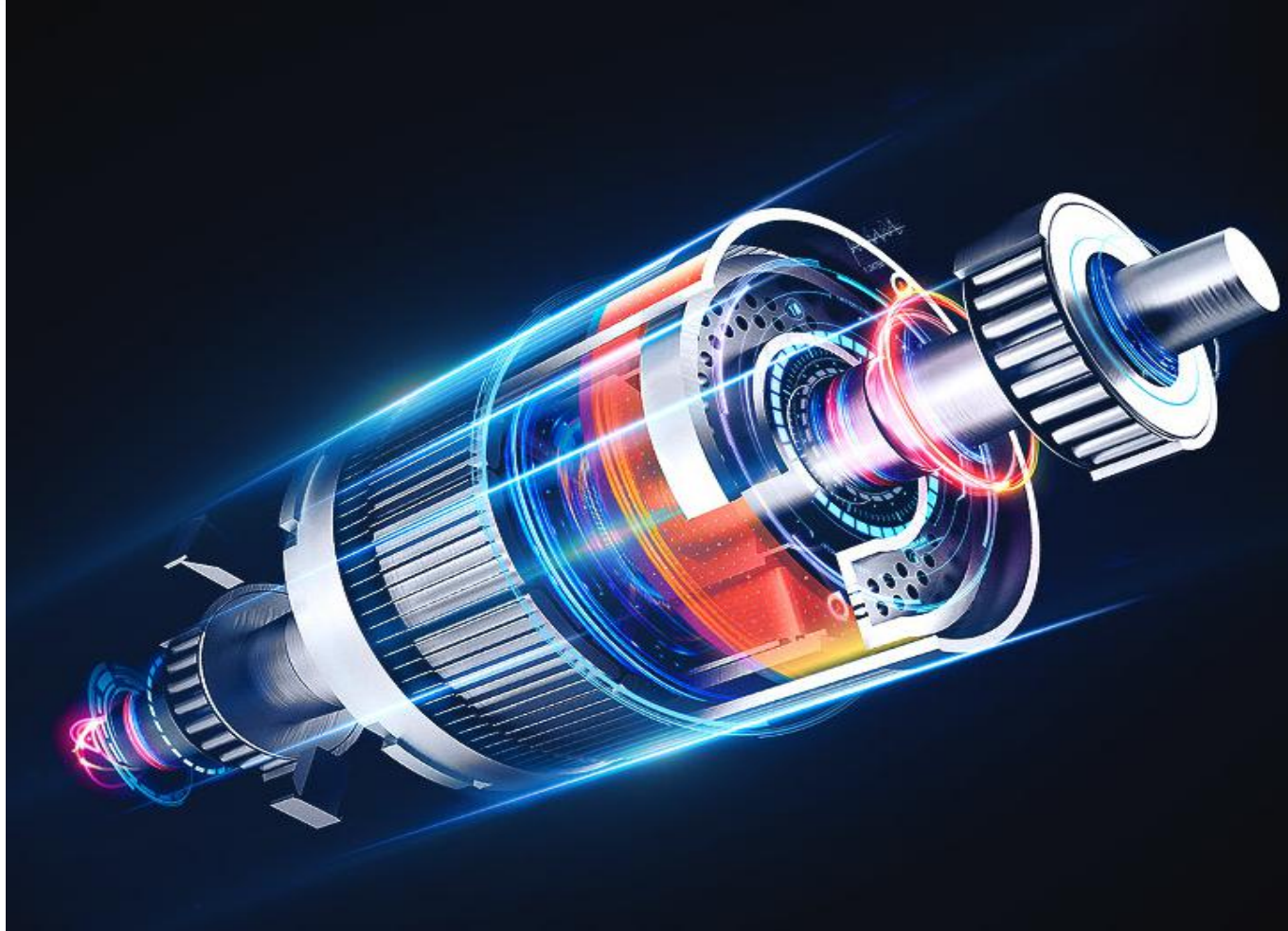
High power motor and frequency converter can adjust power and grinding speed.

Complete Accessories

Equipped with flat grinding frame, convex grinding wheel, small grinding wheels of various specifications, workbench



TWO

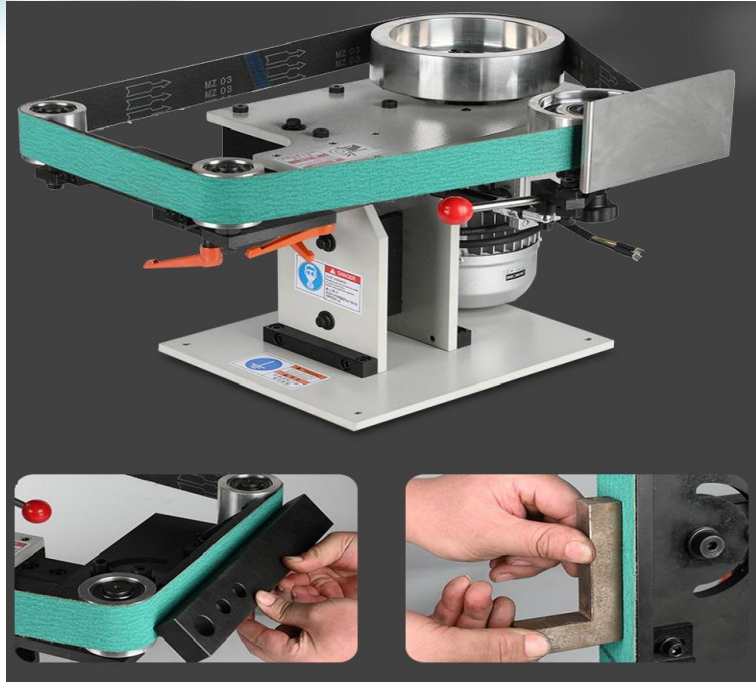


Industrial Grade Motor PureCopper Coil Stable Operation

1500 W, 2200 W optional, high-power pure copper wire, stable operation of motor for a long time, overload prevention, and burning prevention

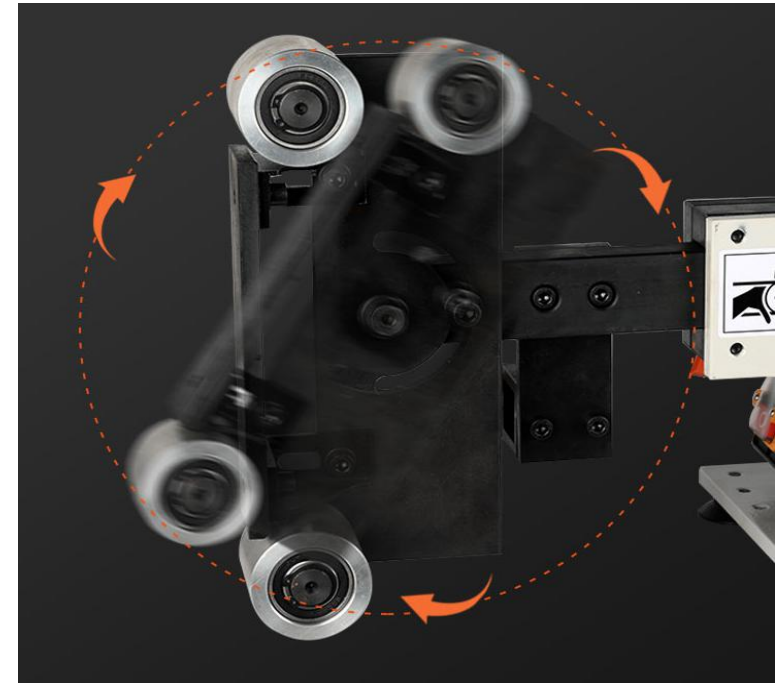


TWO



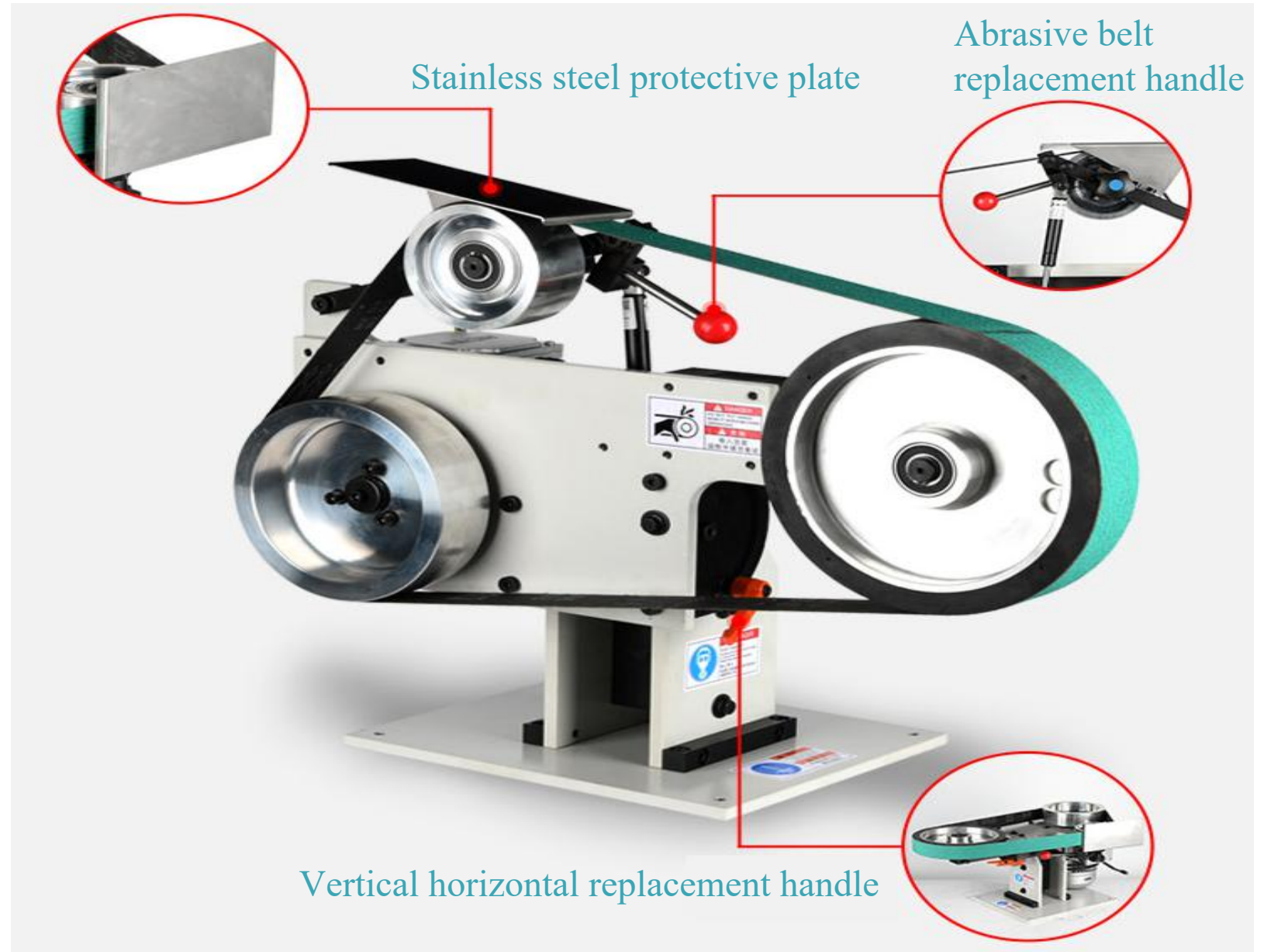
Flat grinding frame, high rigidity, high precision, long service life, 50 × 210mm

The flat grinding frame can be disassembled and the angle can be adjusted at will

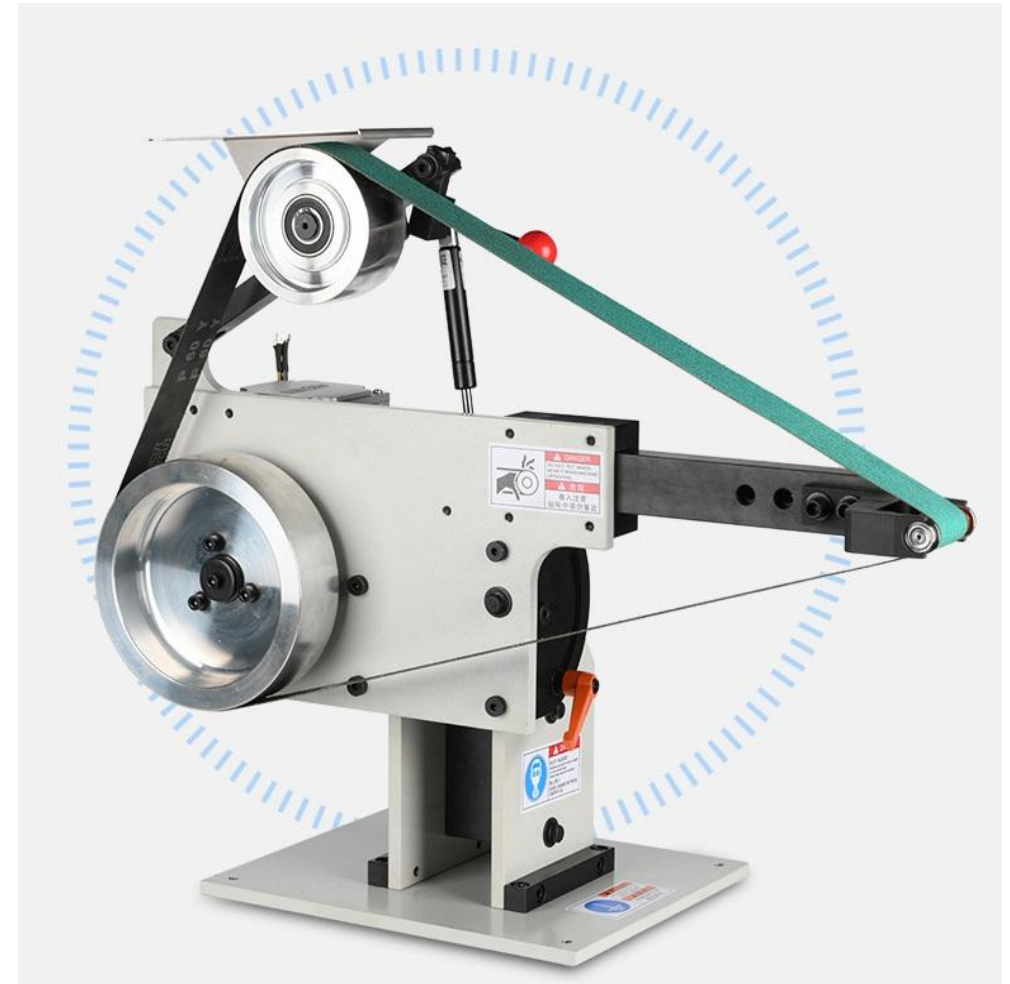
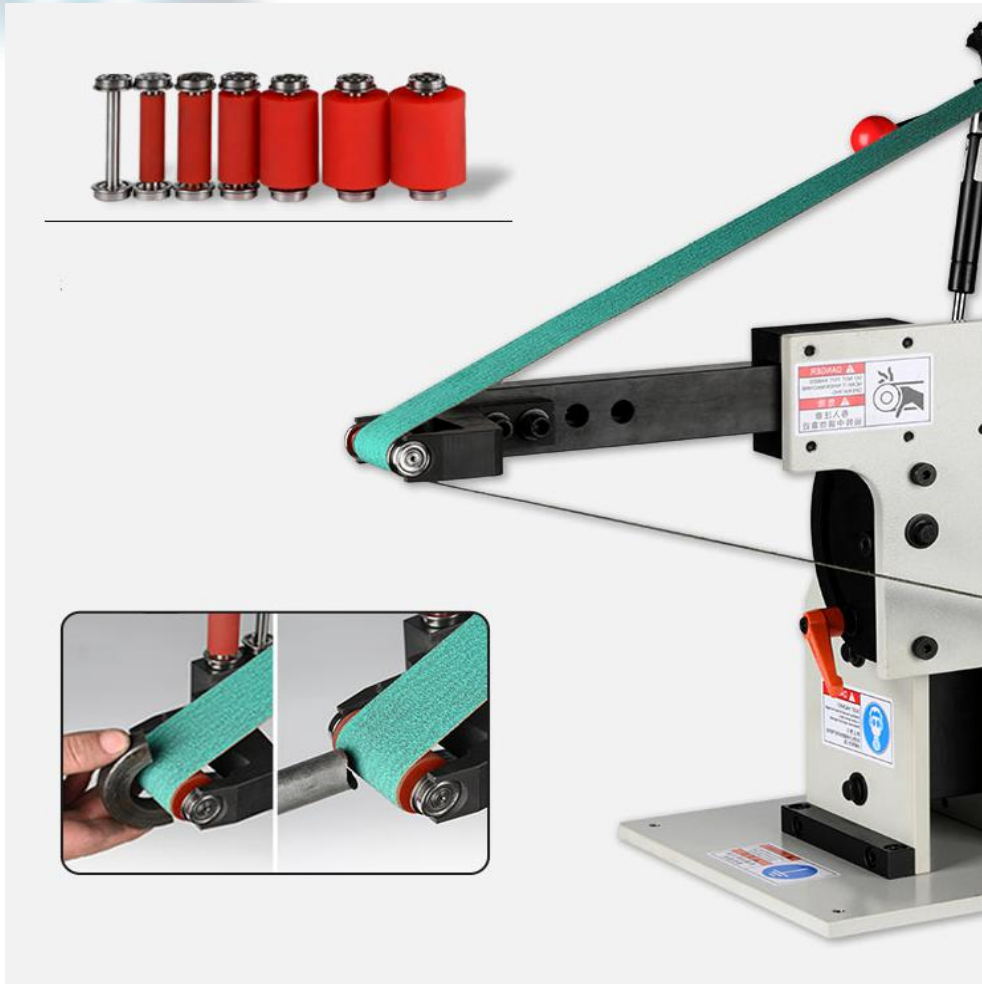


TWO

The machine body is made of precision wire cutting with high strength and precision. The appearance of the machine body is electrostatically sprayed.

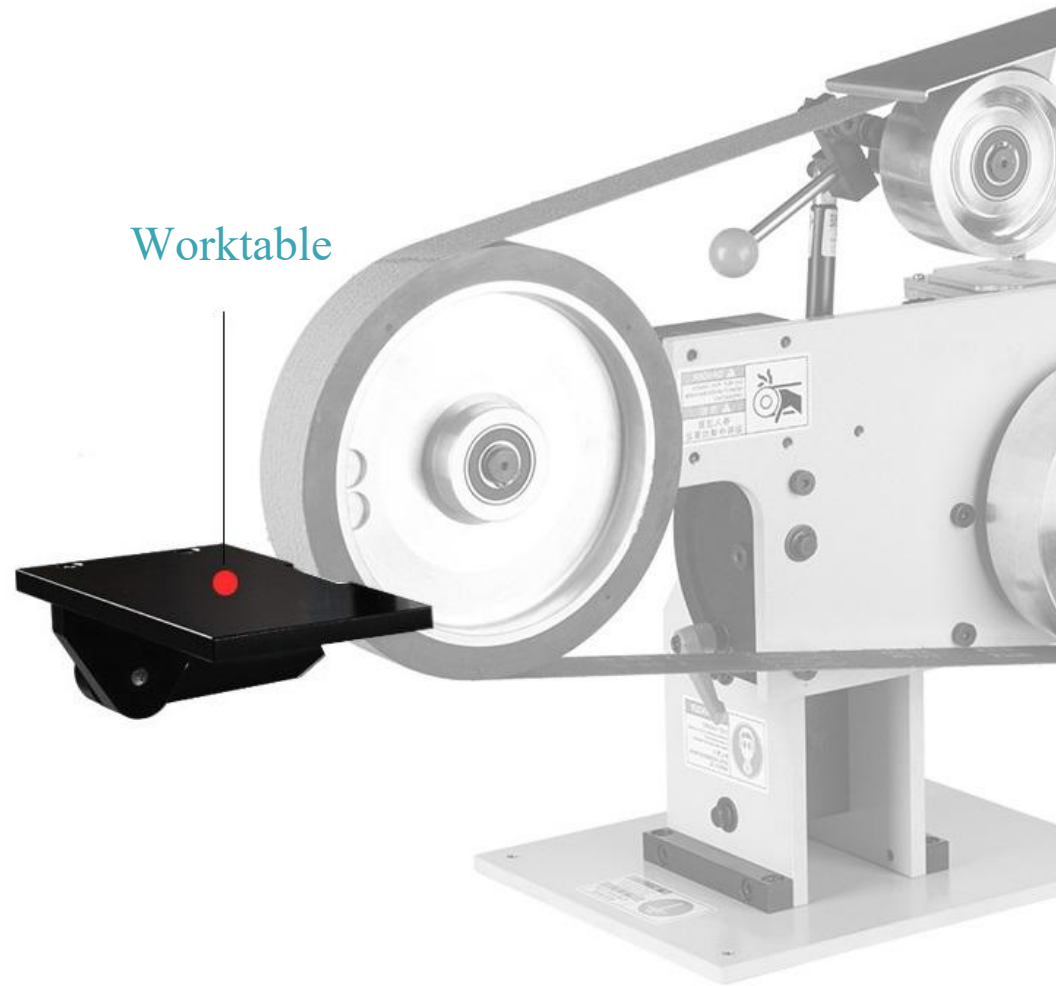


TWO



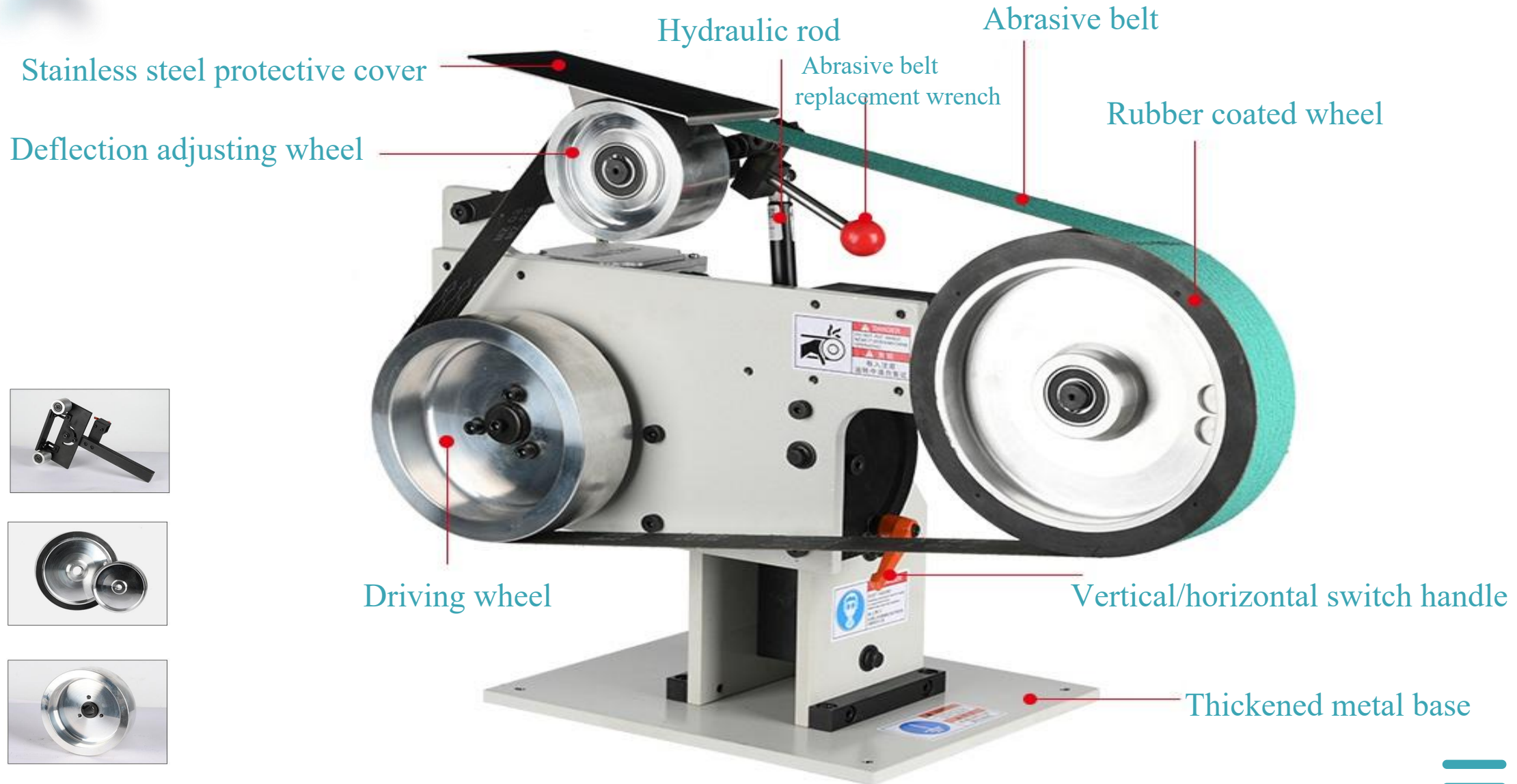
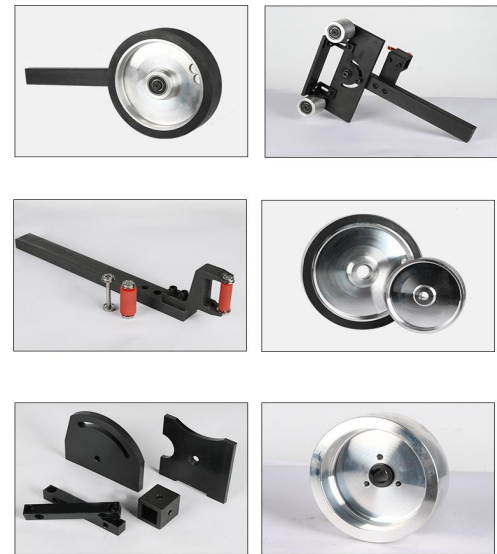
The small grinding wheel can be replaced. This wheel can deeply grind grooves, finger grooves and fillets. The small grinding wheel is treated by electrostatic spraying, electrophoresis and aluminum plating, with excellent quality. The standard configuration is 8mm, 20mm and 30mm in diameter. Other specifications can be customized.





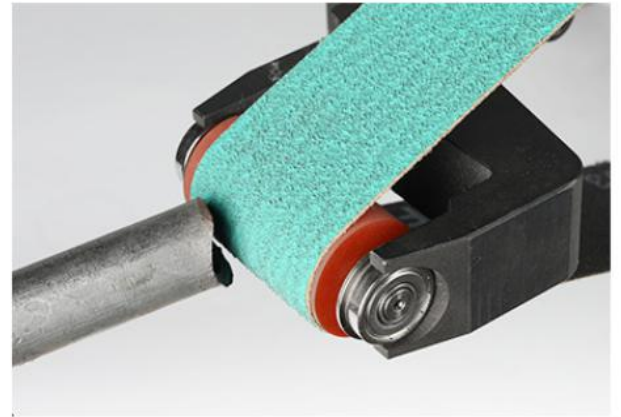
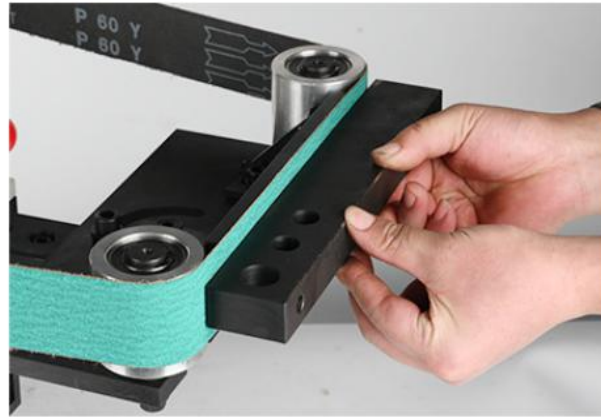
The worktable is suitable for each grinding wheel. It can be disassembled and easily polished for various shapes. Compared with the handheld, it can provide a more stable operating environment and support greater cutting force.

TWO



TWO

Complete machine display





Power supply	220v/380v/customized
Motor speed	0 to 2800 r/min
Speed	0-35 m/s
Abrasive belt dimensions	(1828-2100)*50 mm
Abrasive belt motor power	1.5/2.2 kw(variable frequency drive)
Product size	L850*W400*H600MM(Vertical) L850*W400*H400MM(Horizontal)
Gross weight	98kgs
Price	Contact



THREE

1

The surface of the machine body has been sandblasted with excellent workmanship and good rust prevention effect.

2

The thickened base makes the machine have good supporting performance, low noise and stable operation.

3

The main shaft is made of precision cast steel and hardened to ensure the service life of the whole machine.



4

High quality three prevention frequency converter, waterproof, dustproof and anti-corrosion.

5

According to the customer's requirements, any part of the parameters can be customized and adjusted.

6

we have rich experience in handling after-sales issues via video or email. Meanwhile the engineers are available to service overseas.

Our advantages





Thank You

